



EFCip

Electric
Torque Multiplier

allkitronic[®]

world's No. 1 choice

Applications

- **alkitronic® EFCip / ECWip** Electric Torque Multipliers from 60 to 6,500 Nm.
- **Consistent Torque accuracy** on all international power supplies 100 - 253V / 45-66 Hz.
- **Precise shut-off** with on-site voltage-controlled portable generators.
- Models **ECWip** angle tools low height for restricted access applications.

Advantages

- **Safe and interruption-free work in any weather** (moisture, rain) - thanks to protection class IP54.
- **Low running costs:** low-wear, maintenance-free and brushless synchronous motor.
- **Permanently higher joint quality** by continuous rotation of the square drive.
- **Simple 1-finger trigger operation** for forward and reverse.
- **OLED-Display** anti-glare and high contrast - for perfect reading under all weather conditions.
- **Menu-driven intuitive operation**, control or warning signals.
- **Ergonomic and comfortable operation:** The 360 degree rotating handle prevents reaction forces from being transferred to the operator.

alkitronic® specials

- **High-quality bolting** according to the **torque/angle procedure**.
- **Highly innovative generation of electric multipliers** with new sensorless control motor technology. Lower power consumption increases the service life of the electronic components.
- **Repeat shut-off accuracy** $\pm 2\%$ for the same bolting application.
- **Robust and long lasting:** motor housing of cast aluminum.



Specifications

Update packages:

Bluetooth interface for communication and documentation of bolting applications.

Modular software solutions for the upgrading of user-specific applications.

Special solution: presetting of torque to 5 Nm precisely is possible.

All **alkitronic®** torque multipliers with CE-certification.

Electrical data:

Universal AC input 100 V – 253 V, frequency 45 Hz – 66 Hz.

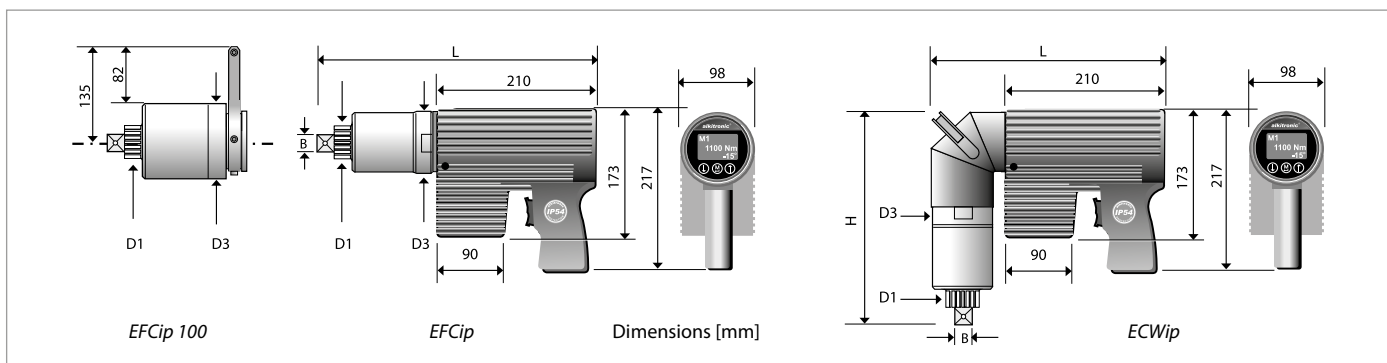
Power max. 1100 W, protection category I, protection class IP 54 (standard).



alkitronic® EFCip, intuitively operable user interface with graphics-capable OLED-display.
Image right **EFCip** use in steel construction.



Technical Data



Models EFCip

Type		EFCip 10	EFCip 20	EFCip 30	EFCip 40	EFCip 50	EFCip 60	EFCip 65	EFCip 70	EFCip 80	EFCip 90	EFCip 100
Torque range (approx.)*	Nm	60-420	80-620	100-1050	150-1500	190-1850	250-2450	290-2900	350-3500	440-4300	500-5000	650-6500
Square drive	B	3/4"	3/4"	3/4"	1"	1"	1"	1"	1 / 1 1/2"	1 1/2"	1 1/2"	1 1/2"
Diameter (approx.)	D ₁	mm	41	41	41	54	54	54	54	72	72	72
Diameter (approx.)	D ₃	mm	88	88	88	88	88	88	88	98	98	109
Length (approx.)	L	mm	330	330	330	382	382	388	388	406	406	430
Weight without DMA (approx.)	kg	9	9	9	10	10	11	11	13	13	14,5	15,5
Idle speed	rpm	70	40	30	15	14	11	8	7	5	4	3

Models ECWip

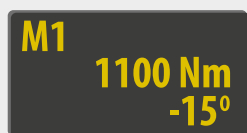
Type		ECWip 10	ECWip 20	ECWip 30	ECWip 40	ECWip 50	ECWip 60	ECWip 65	ECWip 70	ECWip 80	ECWip 90	ECWip 100
Torque range (approx.)*	Nm	60-420	80-620	100-1050	150-1500	190-1850	250-2450	290-2900	350-3500	440-4300	500-5000	650-6500
Square drive	B	3/4"	3/4"	3/4"	1"	1"	1"	1"	1 / 1 1/2"	1 1/2"	1 1/2"	1 1/2"
Diameter (approx.)	D ₁	mm	41	41	41	54	54	54	54	72	72	72
Diameter (approx.)	D ₃	mm	88	88	88	88	88	88	88	98	98	109
Length (ca.)	L	mm	310	310	310	310	310	310	310	318	318	326
Height (ca.)	H	mm	249	249	249	300	300	305	305	315	315	345
Weight without DMA (approx.)	kg	12	12	12	13	14	14	14	16	16	17	18
Idle speed	U/min	70	40	30	15	14	11	8	7	5	4	3

*) When loosening a bolted connection, up to 20% higher torque may be required (loosening torque). We will gladly advise you in detail.

OLED Display EFCip / ECWip

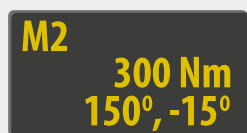
Example software packages

Softwarepackage 1 (standard)



Mode 1
Bolting via torque.
Automatic relief according to
pre-set angle degrees.

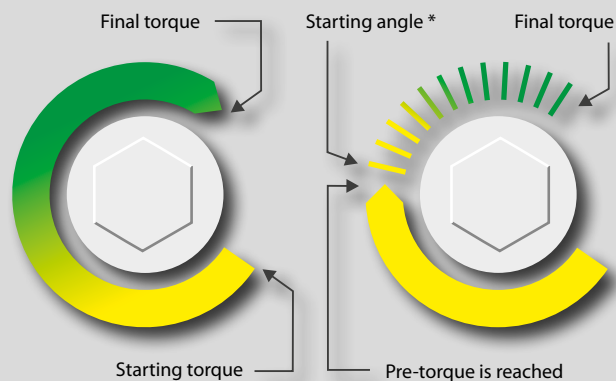
Softwarepackage 2 (option)



Mode 2
Torque/angle procedure for high-
quality bolting connections. Display
example of pre-torque, angle and
loosening angle.

Software package 1 is pre-installed in the basic version.
For user-specific bolting applications or settings other software packages
are available.

Chart Mode 1 and Mode 2



* Information on rotational angle setting for torque/angle method.

- The angle of rotation is specified constructively for the bolting connection.
- The angle of rotation can be determined individually and easily with **alkitronic® HSD**.
We will gladly provide you with detailed product information.

alkitronic® provides all drive technologies.

Extract from our product range:

✓ **ELECTRIC**



✓ **PNEUMATIC**



✓ **HYDRAULIC**



✓ **MANUAL**



alkitronic®

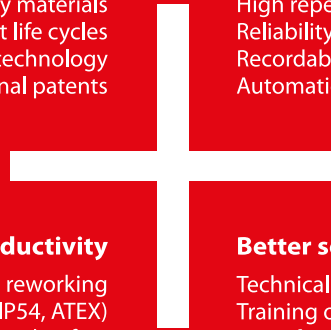
YOUR PLUS FOR MORE PERFORMANCE

Increased quality

- Premium production
- Use of high-quality materials
- Long product life cycles
- 30 years of experience in bolting technology
- Made in Germany – international patents

Increased precision

- Precise, customer-specific torques
- High repeatability
- Reliability in permanent operation
- Recordable tightening outputs
- Automatic shut-off



Increased productivity

- Quicker tightening without reworking
- No environmentally caused failures (IP54, ATEX)
- High work safety
- Simple use – easy instruction
- Low maintenance and cost efficient

Better service

- Technical advice on site
- Training offers
- Manufacturer's calibration and certification
- Lifecycle support
- Spare part and repair service

TORQUE POWER WORLDWIDE

alki TECHNIK GmbH
Development, Production and Distribution of Bolting Systems

Unterlettenweg 4 – 85051 Ingolstadt/Germany – fon +49 841 97499-0 – fax +49 841 97499-90
info@alkitronic.com – www.alkitronic.com